



**Electrolux**  
PROFESSIONAL

## Eco Preparation 1400 mm Soaking Sink for Dishwasher with 1 Bowl

ITEM # \_\_\_\_\_

MODEL # \_\_\_\_\_

NAME # \_\_\_\_\_

SIS # \_\_\_\_\_

AIA # \_\_\_\_\_



132934 (ESBD1417R)

Sink Unit for Dishwasher with  
1 bowl right hand drainer  
500x500x250mm, 1400m

### Short Form Specification

Item No. \_\_\_\_\_

Worktop in 304 AISI stainless steel with front edge h=40mm. Rear upstand h=100mm. N.1 bowl 500x500mm. Front and side covering panels in stainless steel. Rear panel in stainless steel. Square section legs 40x40mm in stainless steel with adjustable feet. An undercounter dishwasher can be placed under the drainer.

### Main Features

- Sturdiness, stability and reliability of table accurately tested.

### Construction

- Constructed entirely in stainless steel to offer maximum durability.
- Bottom part of drain left free to house an undercounter dishwasher.
- Delivered in knock-down package.
- Wide range of taps are available to suit every need.
- Drainage area suitable for drying operations

### Optional Accessories

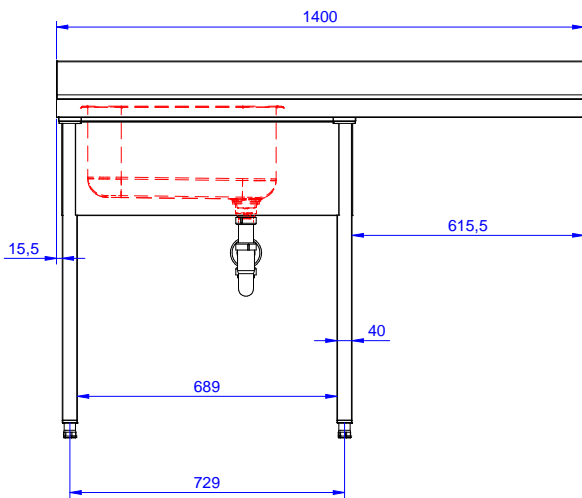
- Set of 4 wheels (2 with brake) PNC 855150   
d. 100mm for tables and sinks  
(total height on wheels= 993 mm)
- Single plastic drain syphon 1,5 " for work tables with bowl PNC 855306
- Elbow operated mixer tap with PNC 855322   
spout 3/4", single hole
- Elbow operated mixer tap with PNC 855323   
short spout 3/4", single hole
- Maxi reel retractable hose PNC 855327   
spray unit, 6m
- Foot operated mixer tap (hot and cold) with spout 3/4" PNC 855328

APPROVAL: \_\_\_\_\_

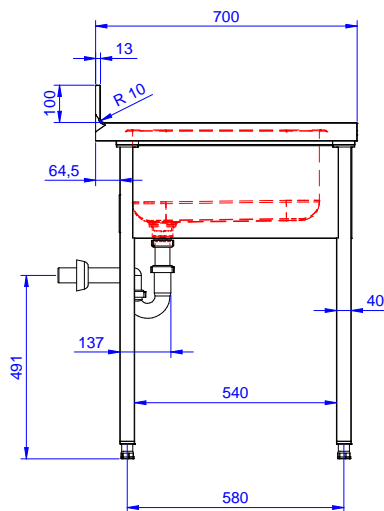


Experience the Excellence  
[www.electroluxprofessional.com](http://www.electroluxprofessional.com)

Front

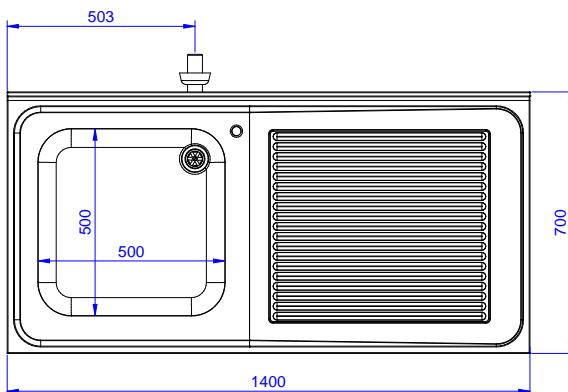


Side



D = Drain

Top



### Key Information:

External dimensions, Width:	1400 mm
132934 (ESBD1417R)	1400 mm
External dimensions, Depth:	700 mm
External dimensions, Height:	900 mm
Upstand Dimensions, Height:	100 mm
Upstand Dimensions, Depth:	13 mm
Upstand Dimensions, Radius:	R=10
Bowls number	1
Bowl dimensions	500x500xH250
Net weight:	60 kg